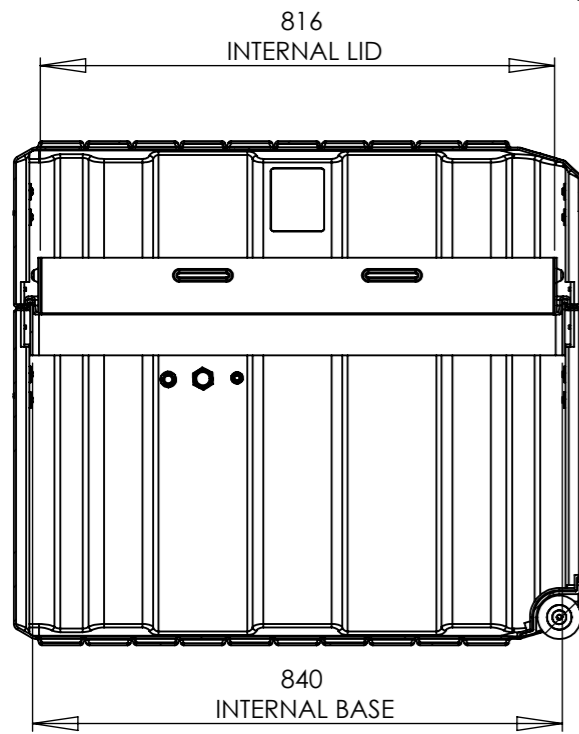
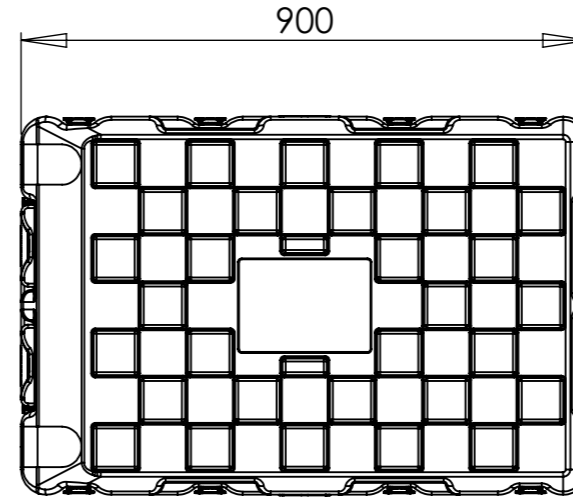
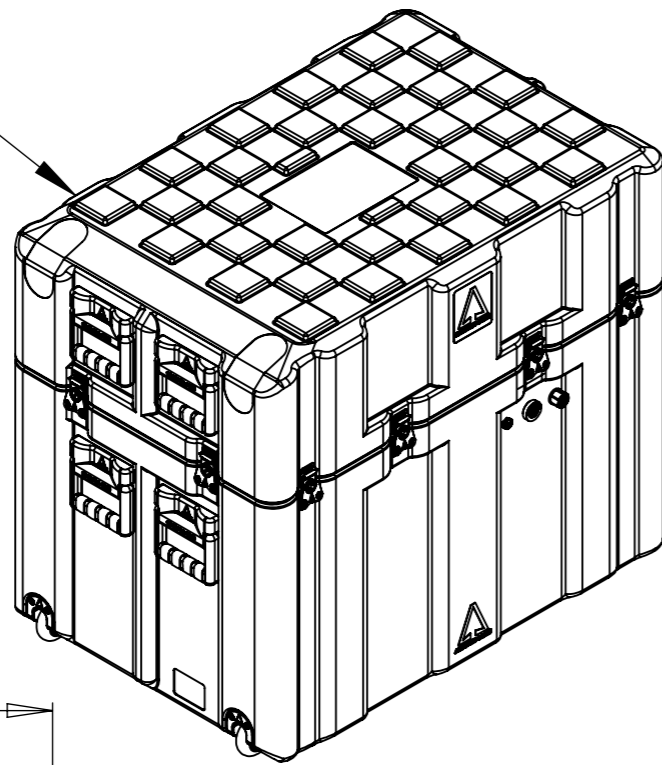
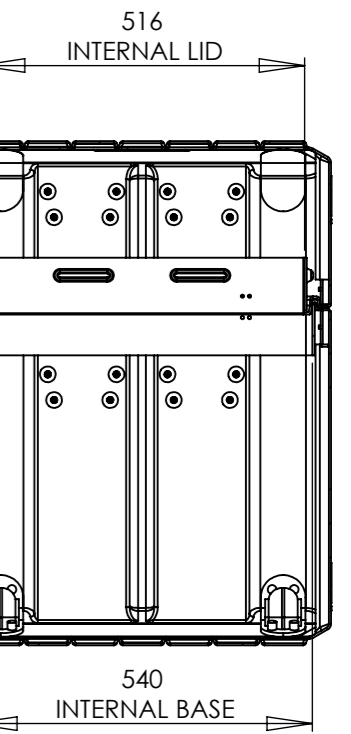
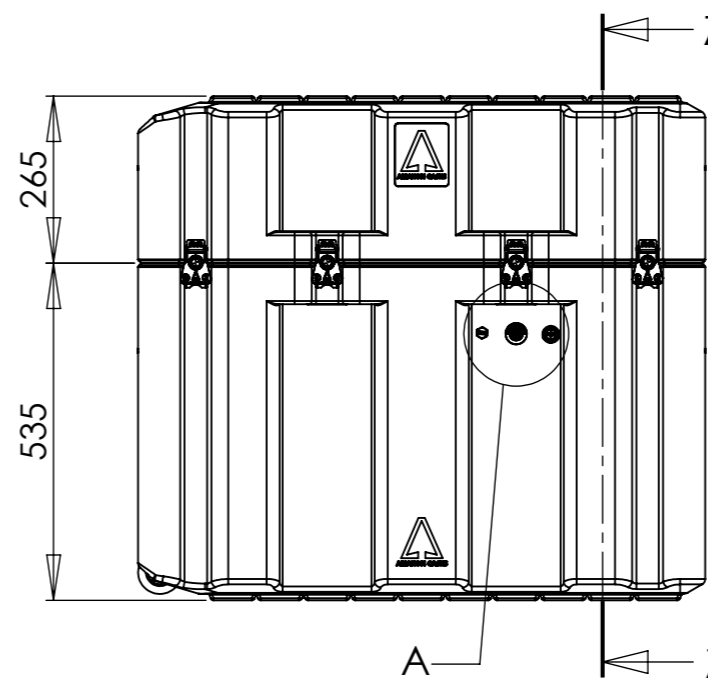
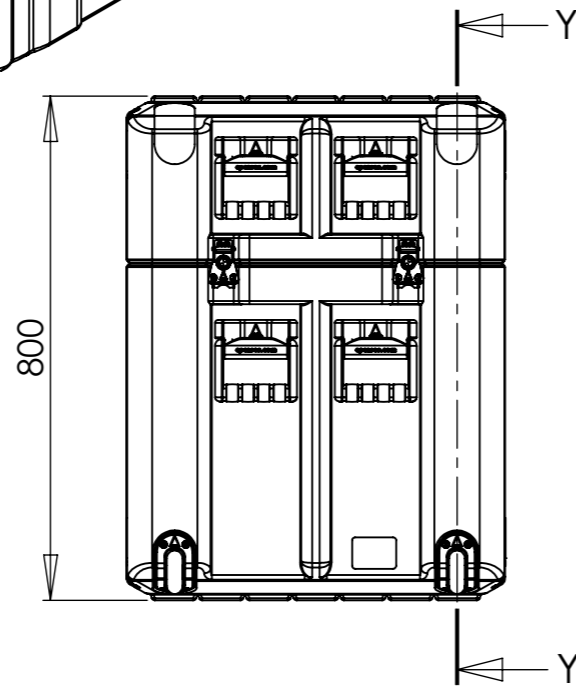


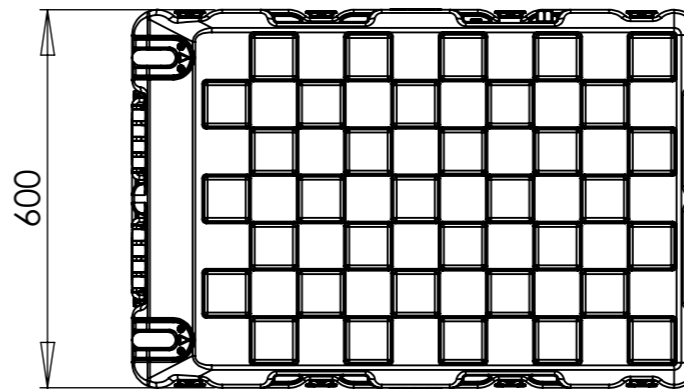
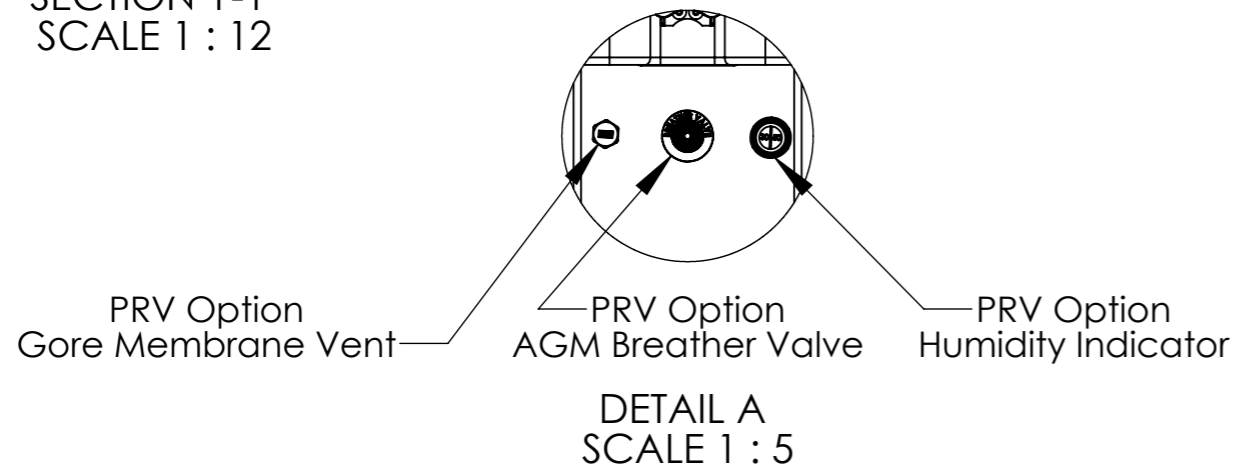
NOTE:
ALL CATCH LIFT OFF LID.



SECTION Y-Y
SCALE 1 : 12



SECTION Z-Z
SCALE 1 : 12



Title Amazon Case AC9060-5327/AC	Material Polyethylene	Finish Self Colour	Date 22/06/2010	Drawn By MW	Revision A	Project Amazon
Drg. No. AC9060-5327_AC	External Dimensions Height: 800, Width: 600, Length/Depth: 900	Internal Dimensions Height: 760, Width: 540, Length/Depth: 840	W/O No. 000000	Qty. 00	Sheet No. 1 Of 2	Nato Stock No. 8145-99-151-7437
			Dimensions In Millimeters. Do Not Scale. Third Angle Projection.		Tolerance Unless Stated Otherwise. Moulding Tolerance +/- (1%+1mm). Sheet Metal Tolerance +/-0.5mm.	

CP Cases Ltd.
Worton Hall Industrial Estate, Worton Road,
Isleworth, Middlesex, TW7 6ER, UK.
Tel: +44 (0) 20 8568 1881 Fax: +44 (0) 20 8568 1141
Email: info@cpcases.com Website: www.cpcases.com
Copyright CP Cases Ltd. This drawing is the property of CP Cases Ltd & the information on it is confidential. It is not to be used for any other purpose without the prior written consent of CP Cases Ltd.