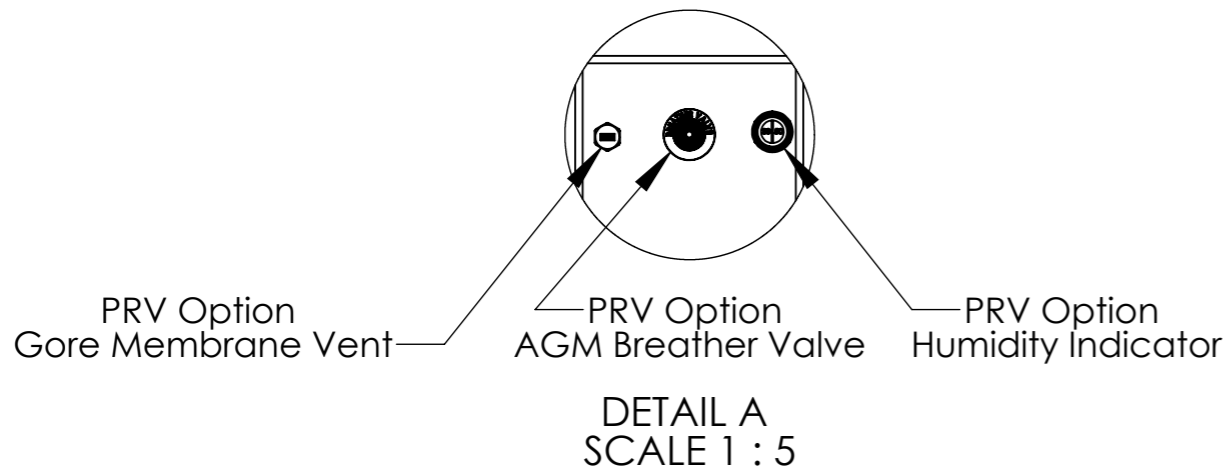
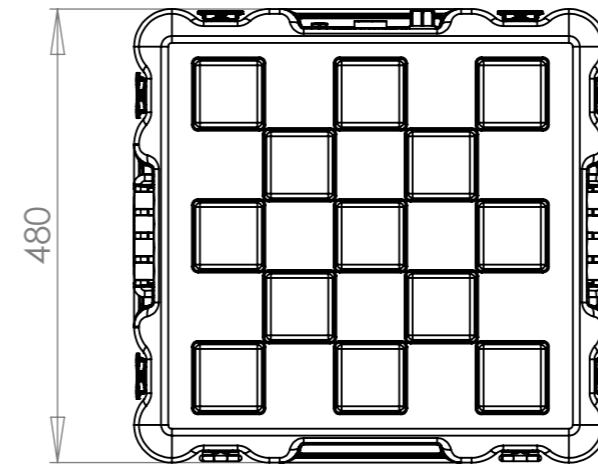


SECTION Y-Y  
SCALE 1 : 8

SECTION Z-Z  
SCALE 1 : 8



DETAIL A  
SCALE 1 : 5



**Title**  
Amazon Case AC5048-3807

**Material**  
Polyethylene

**Finish**  
Self Colour

**Date**  
13/08/2010

**Drawn By**  
MW

**Revision**  
A

**Project**  
Amazon

**Drg. No.**  
AC5048-3807

**External Dimensions**  
Height Width Length/Depth  
450 480 500

**Internal Dimensions**  
Height Width Length/Depth  
410 420 440

**W/O No.**  
000000

**Qty.**  
00

**Sheet No.**  
1 Of 2

**Nato Stock No.**  
8145-99-891-0808

Dimensions In Millimeters.  
Do Not Scale.  
Third Angle Projection.

Tolerance Unless Stated Otherwise.  
Moulding Tolerance +/- (1%+1mm).  
Sheet Metal Tolerance +/-0.5mm.

**CP Cases Ltd.**

Worton Hall Industrial Estate, Worton Road,  
Isleworth, Middlesex, TW7 6ER, UK.

**Tel:** +44 (0) 20 8568 1881 **Fax:** +44 (0) 20 8568 1141  
**Email:** info@cpcases.com **Website:** www.cpcases.com

Copyright CP Cases Ltd. This drawing is the property of CP Cases Ltd & the information on it is confidential. It is not to be used for any other purpose without the prior written consent of CP Cases Ltd.