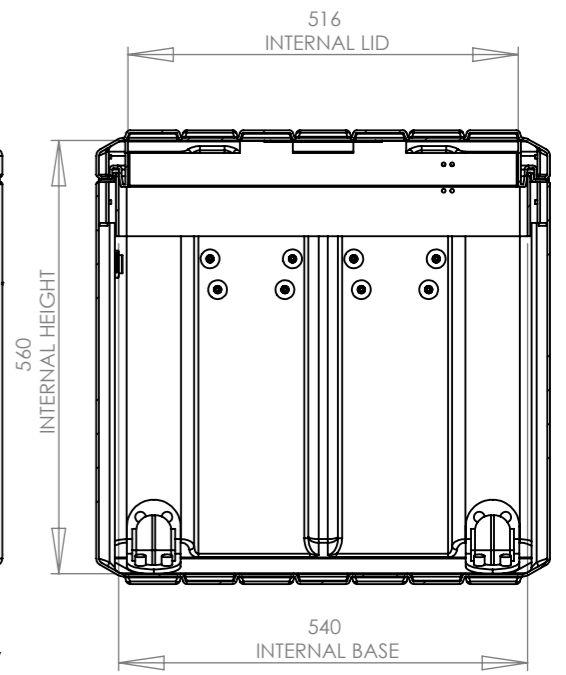
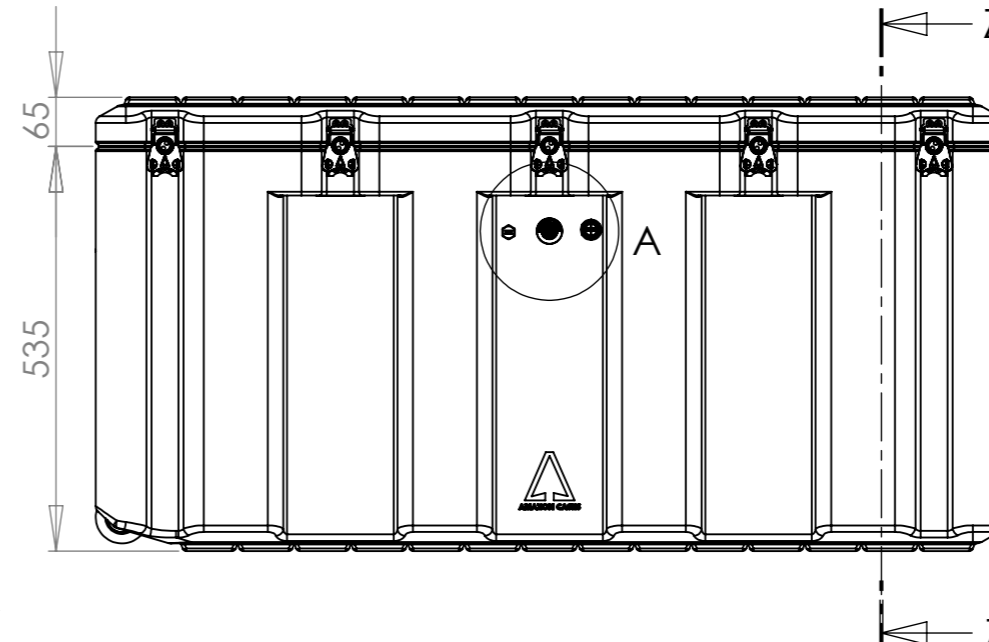
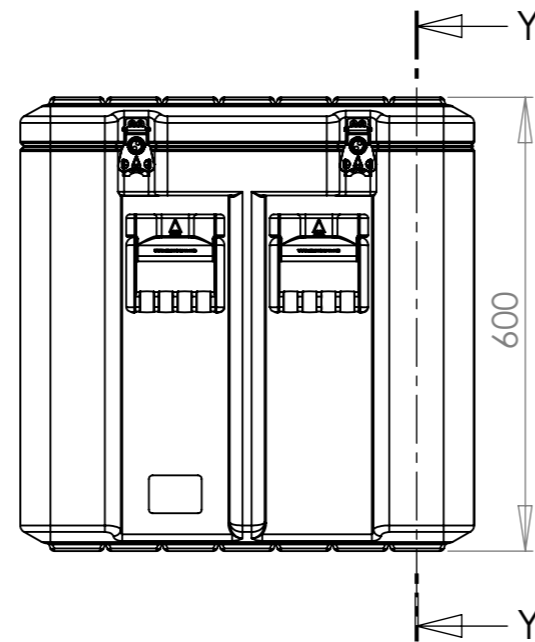
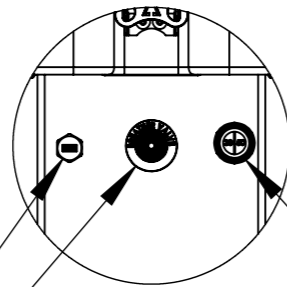


SECTION Y-Y



SECTION Z-Z

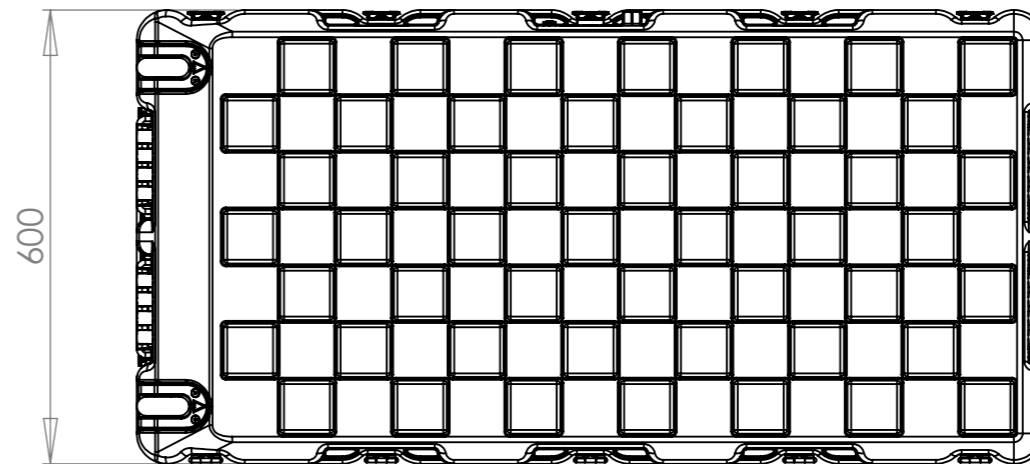
DETAIL A
SCALE 1 : 5



PRV Option
Gore Membrane Vent

PRV Option
AGM Breather Valve

PRV Option
Humidity Indicator



Options Available	Option Selected	Qty	Part #	Nato Stock No (NSN)		
Wheel Kit	Y	01	AAW001	8145-99-342-1189		
AGM Breather Valve	Y	01	AAPRV	Moulding Tolerance +/- (1%+1mm)		
Gore Membrane Vent	Y	01	AAGTV			
Humidity Indicator	Y	01	AAHI	External Dimensions (mm)		
Tie Down Anchor	N	00	AATD001			
Padlockable Latch	N	00	AALPLBK			
Latch	Y	09	AALBK	Internal Dimensions (mm)		
Plastic Handles	Y	04	AAHPL			
				Length	Width	Height
				1200	600	600
				Length	Width	Height
				1140	540	560

Title		Drg. No.	
Amazon Case AC1260-5307		AC1260-5307	
Drawn By	Date	Sheet No.	Issue No.
MW	18/06/2010	1 Of 1	1
Dimensions In Millimeters		Third Angle Projection	
Do Not Scale			

CP Cases Ltd.

Worton Hall Industrial Estate, Worton Road,
Isleworth, Middlesex, TW7 6ER, UK.
Tel: +44 (0) 20 8568 1881 Fax: +44 (0) 20 8568 1141
Email: amazon@cpcases.com Website: www.cpcases.com

Copyright CP Cases Limited.
This drawing is the property of CP Cases Limited & the information on it is confidential & it is not to be used for any other purpose without the prior written consent of CP Cases Limited.